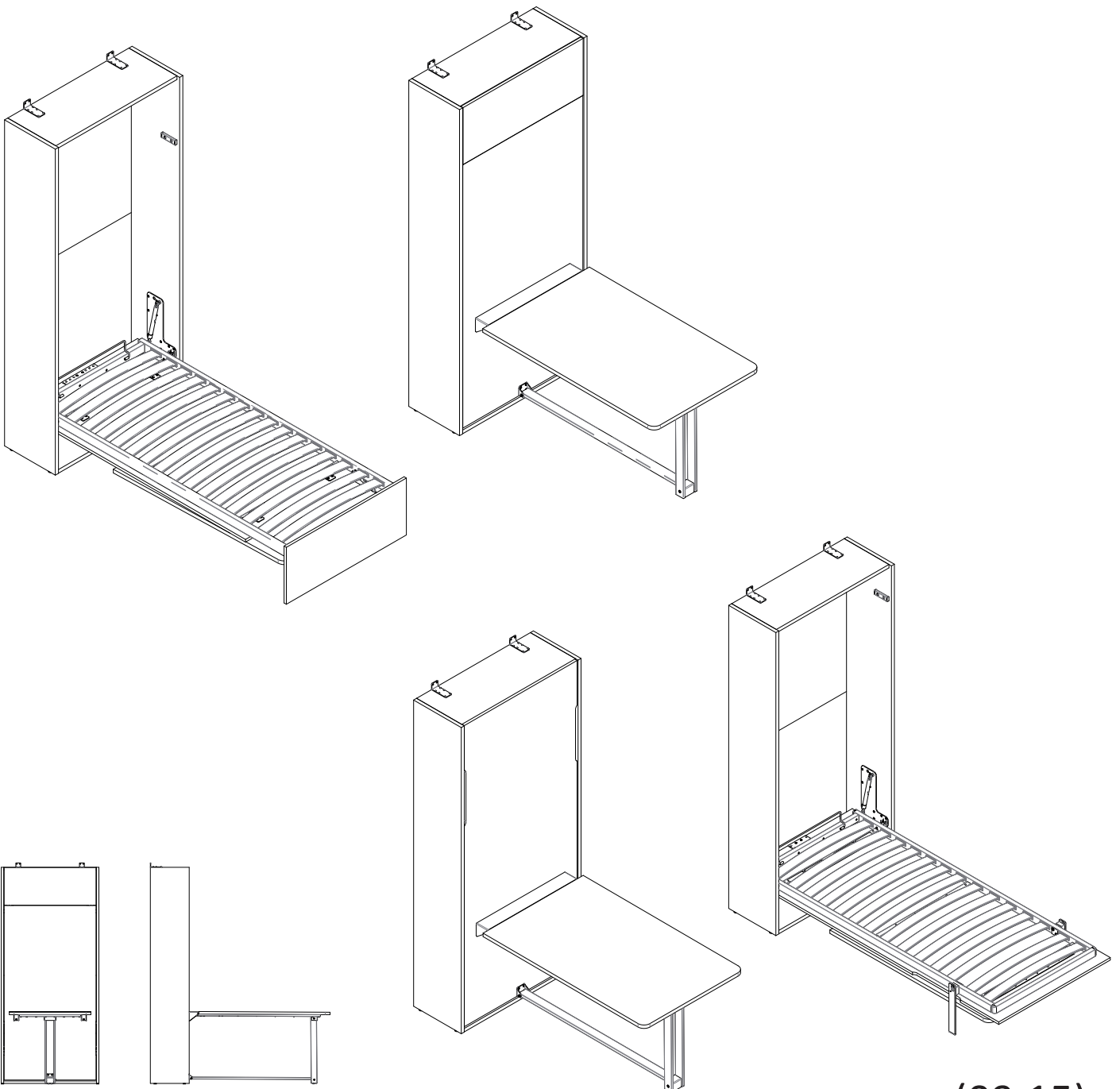


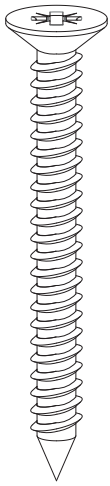


Mod. Tbed Table

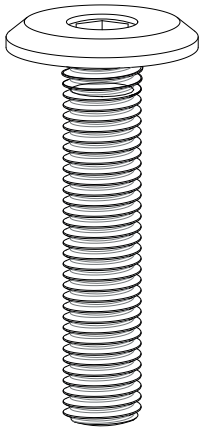
Assembly instructions



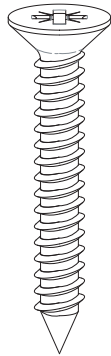
ISTRUZIONI DI MONTAGGIO



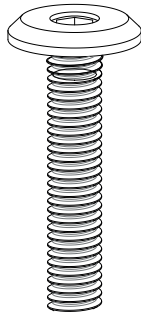
A x18
M4x40



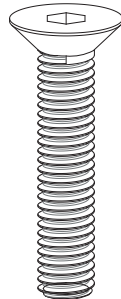
B x2
M8x35



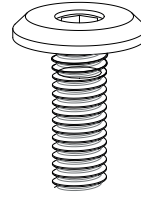
C x12
M4x20



D x10
M6x30



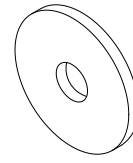
E x2
M6x30



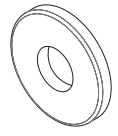
F x10
M6x15



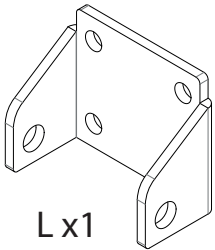
G x2
M8



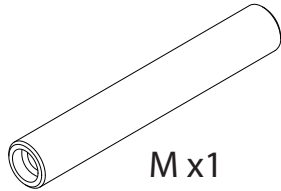
H x2



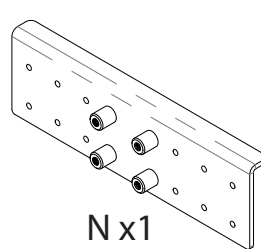
I x2
Nylon



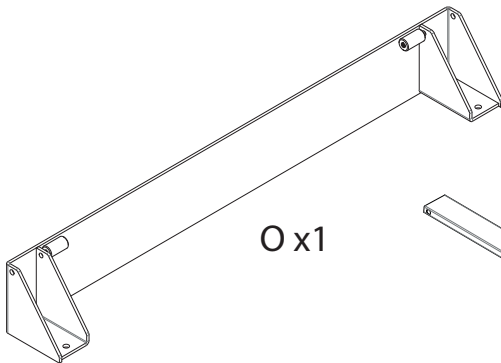
L x1



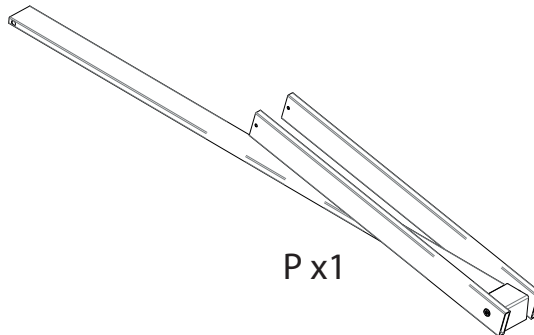
M x1



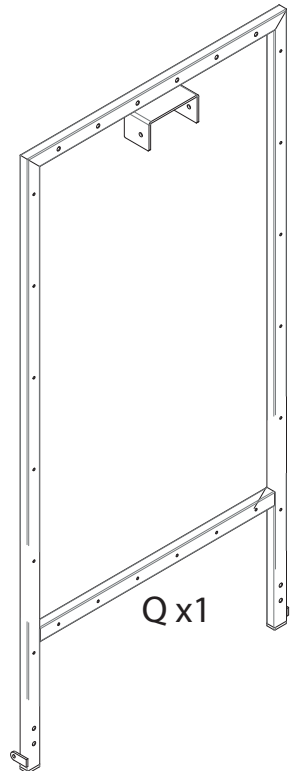
N x1



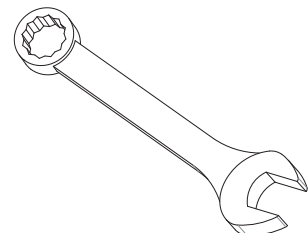
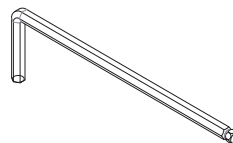
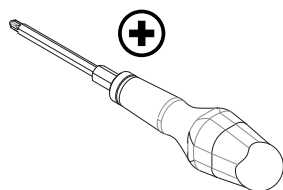
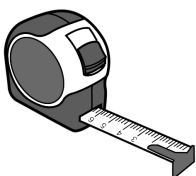
O x1



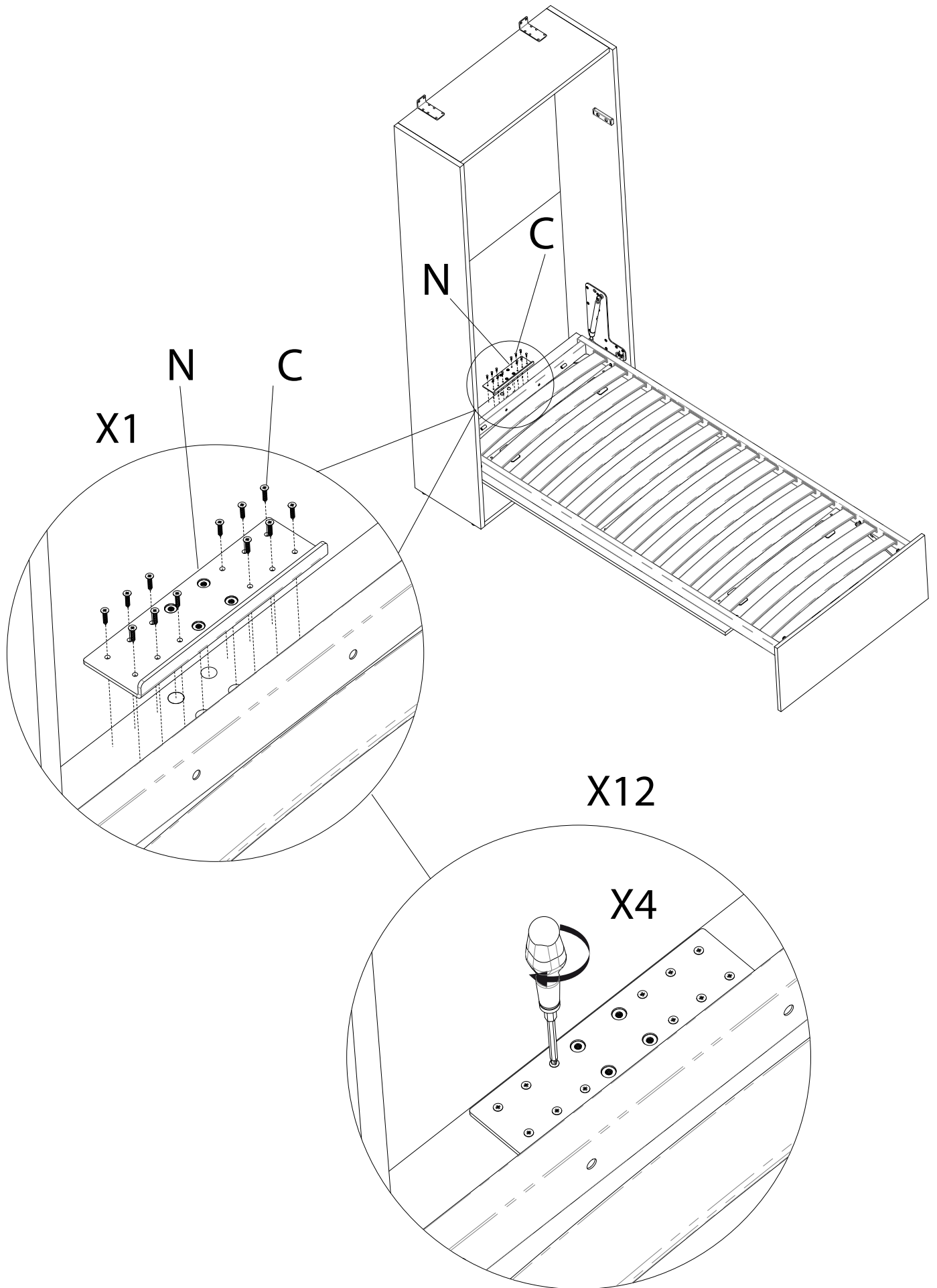
P x1



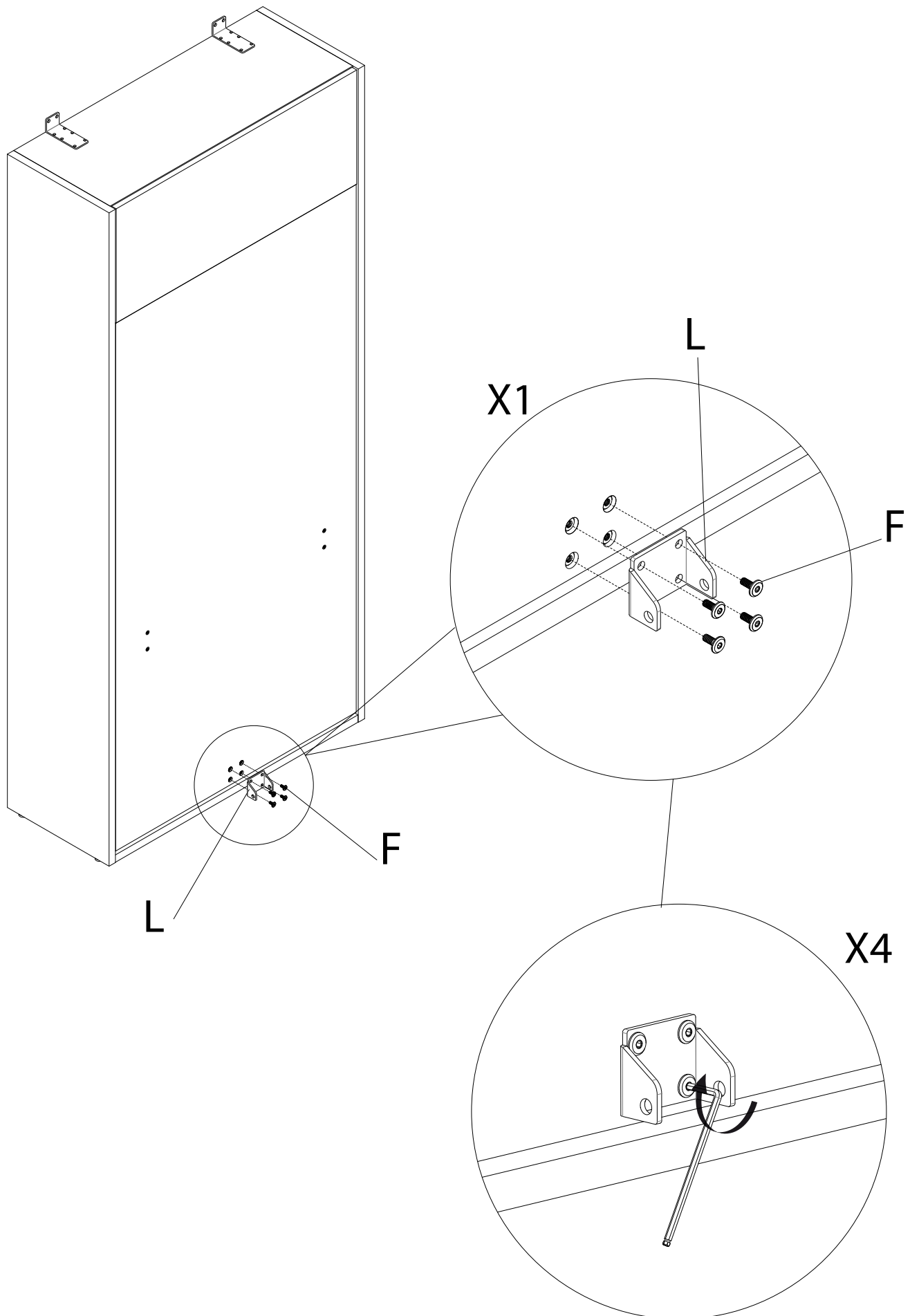
Q x1



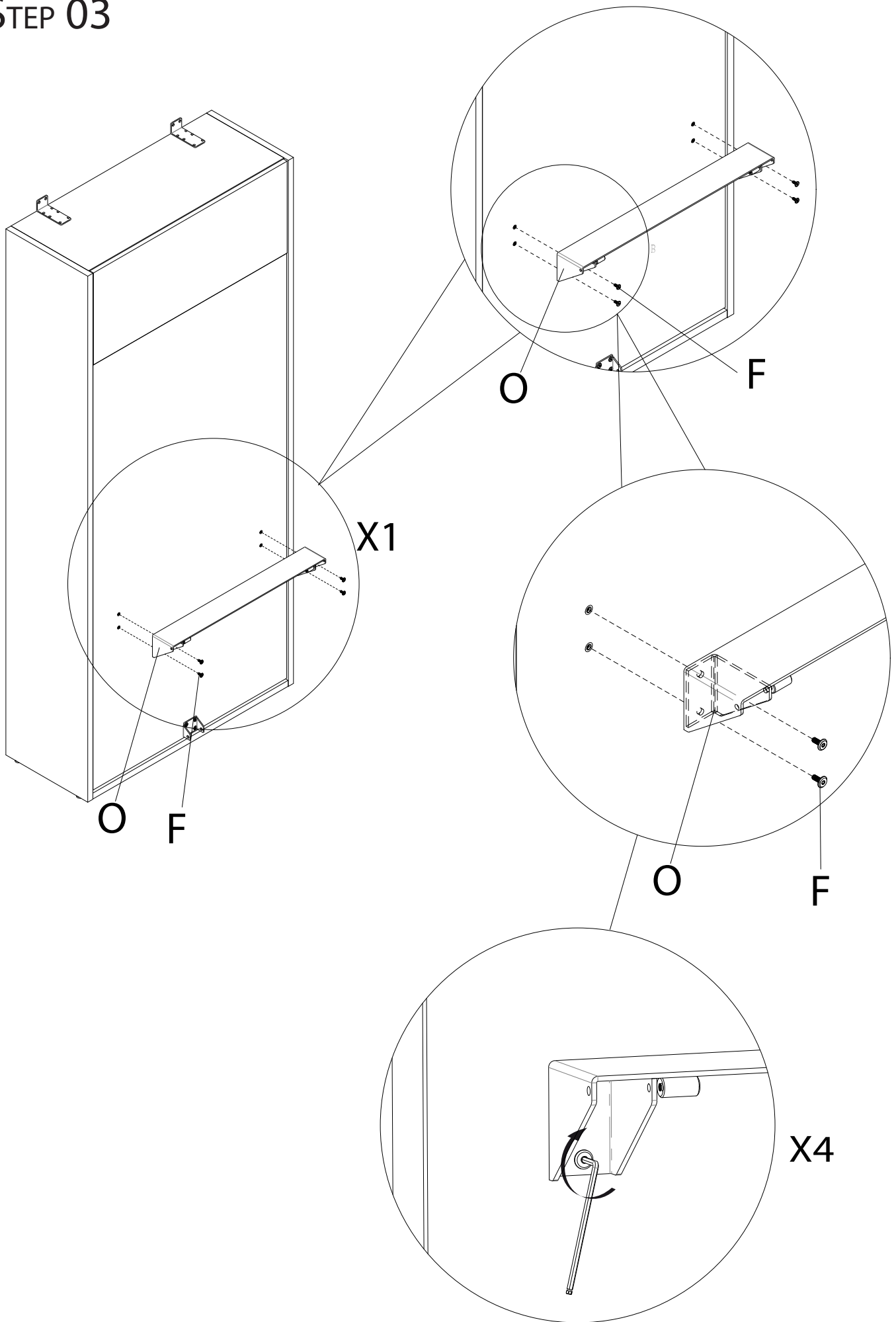
STEP 01



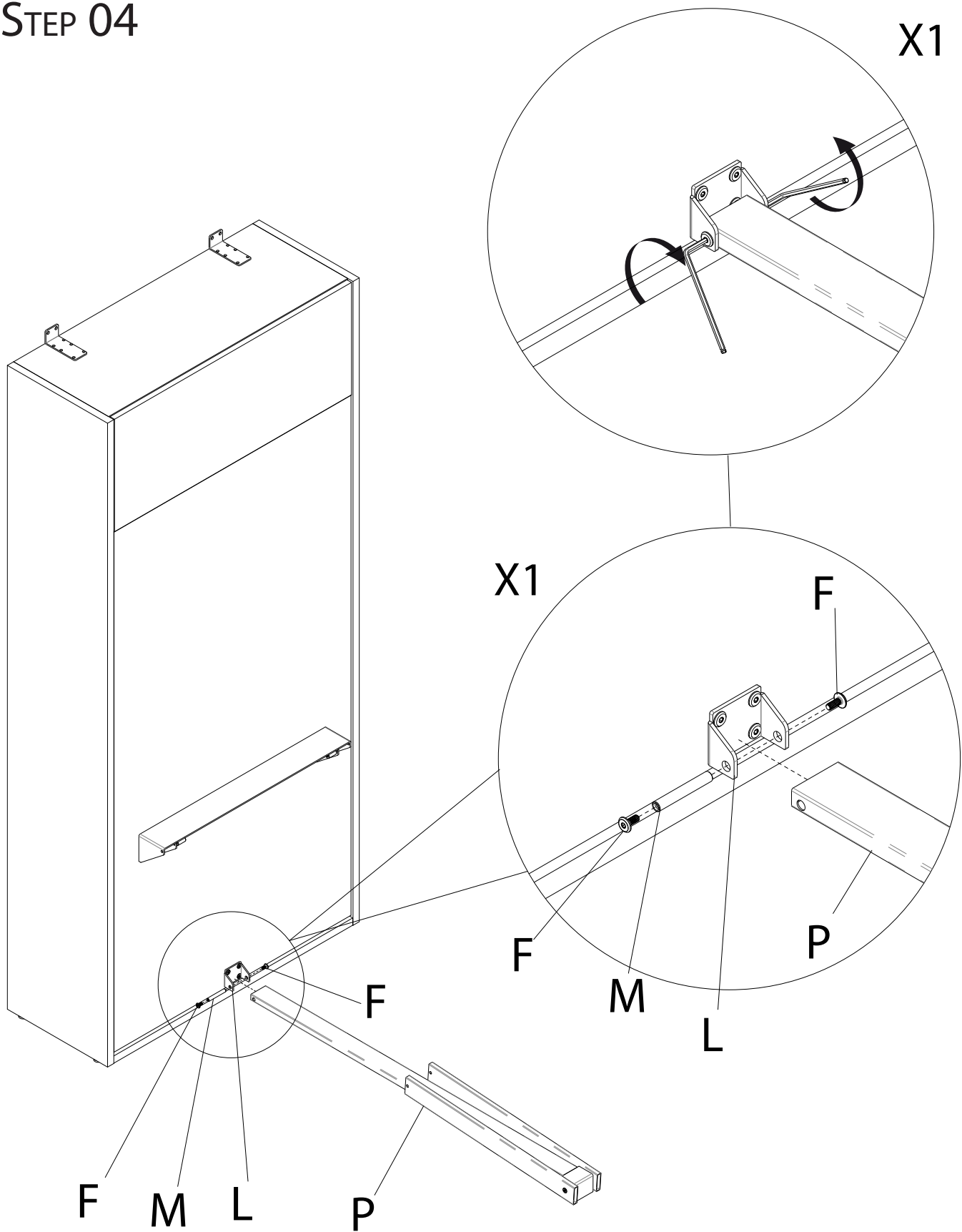
STEP 02



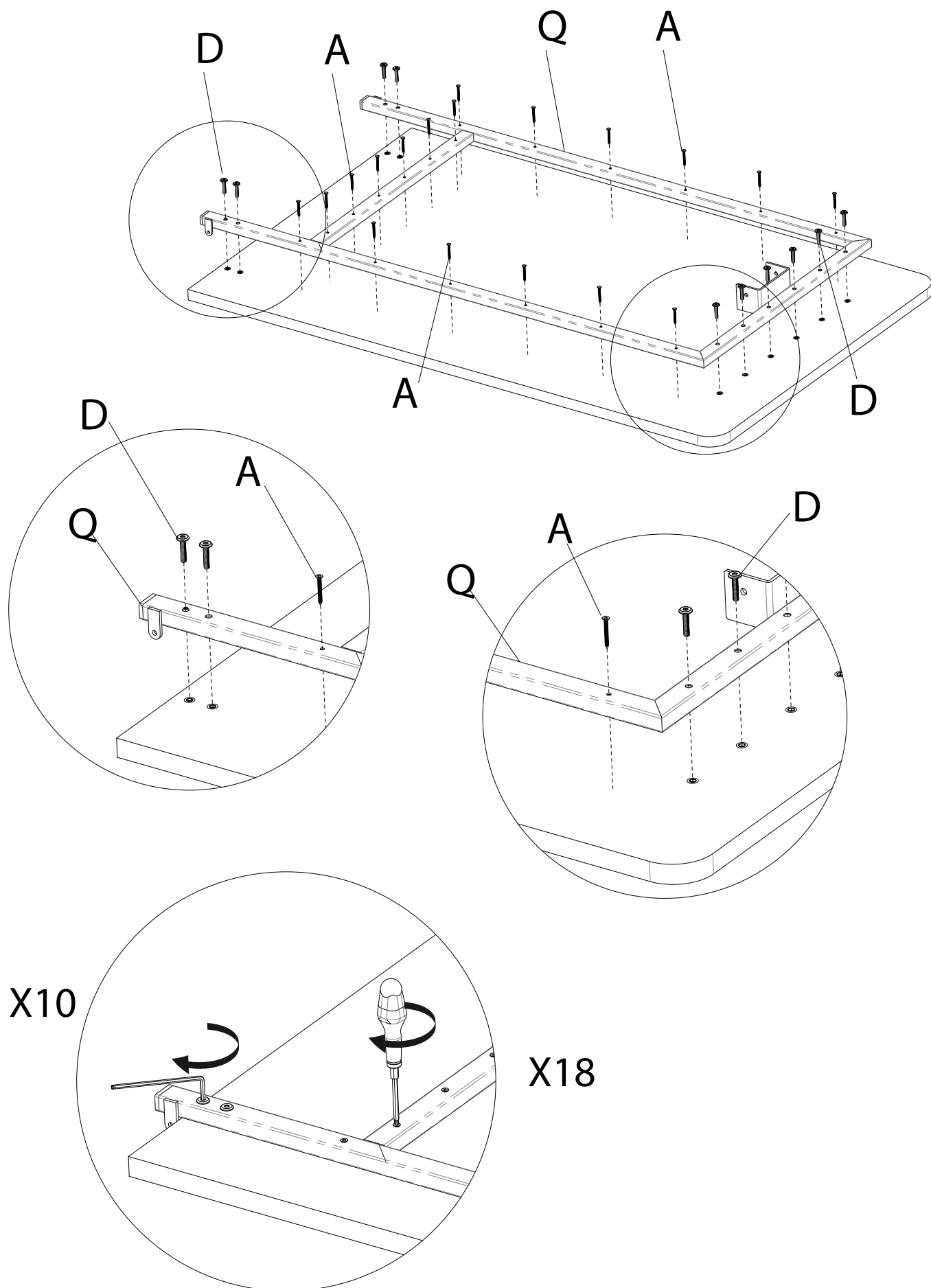
STEP 03



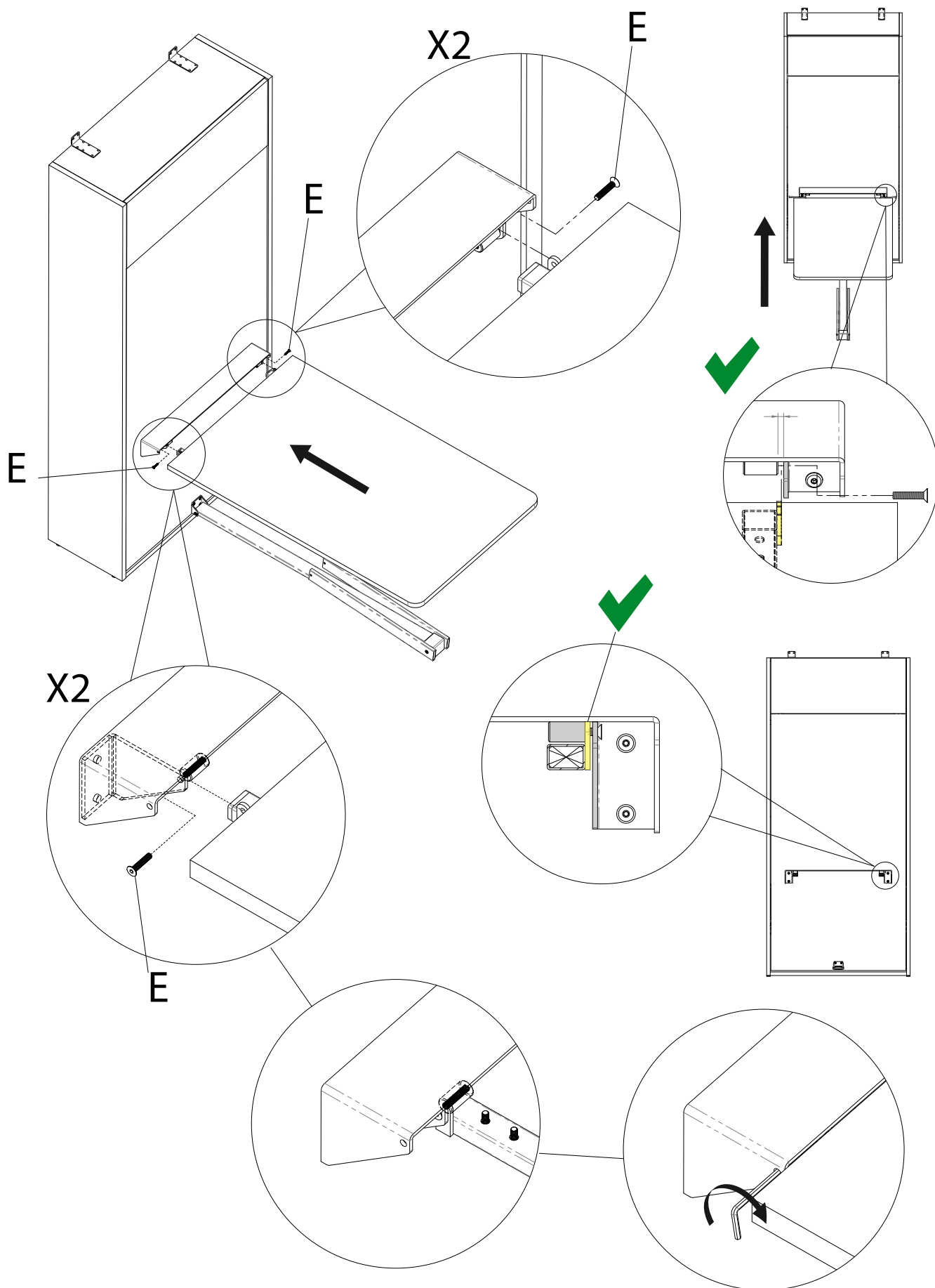
STEP 04



STEP 05



STEP 06



STEP 07

