

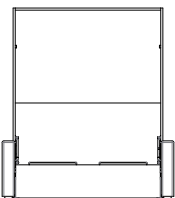
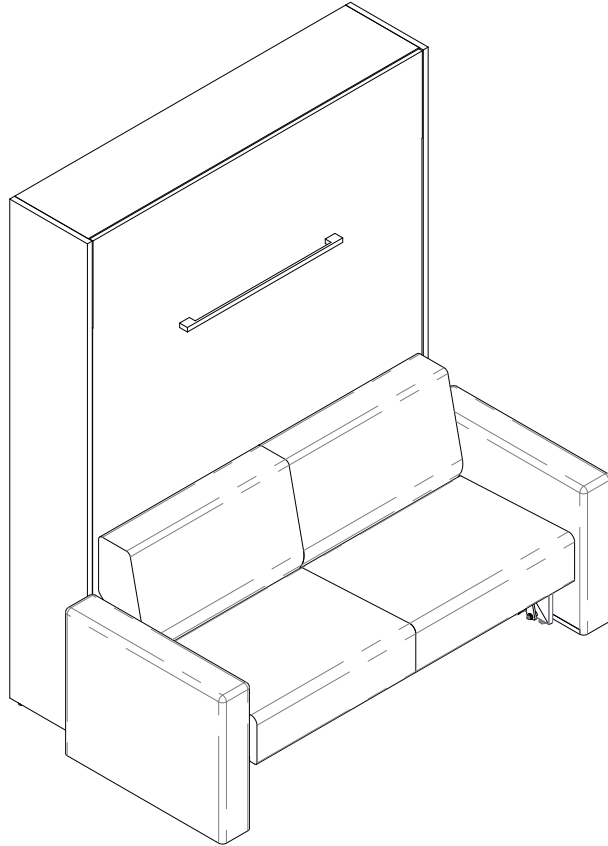


Advanced Technology for Beds

EN

Mod.Easybed Sofa

Assembly instructions



1220 mm

1420 mm

1620 mm

1820 mm



ALL INSTRUCTIONS OF THIS BOOKLET SHALL BE CAREFULLY READ!!!



1. General description

Use

The manual vertical hideaway bed system allows to bring the bedspring from its vertical position inside the cabinet in a horizontal position, to be used as a bed, in a absolutely quick and easy way, with very low efforts.

Before using the hideaway bed, the user must be sure of its good condition and the good condition of its accessories.

Before using the hideaway bed, the user must make sure that on the sleeping surface there is only the mattress and bed linens.

Product description

The bed system is composed by following items:

- left and right metal plates with epoxy powder coating
- left and right door stoppers
- a slatted bedspring
- n°10 brackets for door and footboard connection
- hardware fittings

Guarantee

EASYBED warrants its products for a period of 2 years from the date of purchase. This warranty excludes commercial components. These parts are guaranteed by their original manufacturer.

The guarantee is valid only for appliances that have been installed and used correctly by following all the guidelines of this brief and the “Fixing instructions”.

Responsibility for any misuse is disclaimed.

This product's use is very simple: **before installing and using it, it's mandatory to carefully read the booklet.** Herein you'll find all correct advices for an optimal installation, use and maintenance of the product.

It's important that the booklet is kept together with the product.

This product has been developed for a non-professional use by private persons in households. Its use is not intended to be used by people (children included) who's physical, sensorial or mental capacities are weak, or do not have any experience or knowledge, unless they have been taught by a person that's responsible for their safety. Children shall be surveyed and are not allowed to play with the device.

The installation and/or adjustments of the product shall be carried out in a workmanlike way only by qualified installers, in accordance with all the installation rules of this brief.

Remarks: No liability is assumed by EASYBED in failure to comply with the given advices.

2 . Safety

Safety standard

Compliance with the safety standards puts the user in terms of working productively, without danger of harm to himself and to others.

 **It's forbidden to use the product without any mattress on the bedspring surface.**

 **It's forbidden to use the bed for a different use, than the one described previously in section USE.**


 **Non correct installation or not made by specialized craftsmen, may cause detachments, breaking or dysfonctions with possible damages to persons, things or animals. All given instructions have to be strictly observed.**

Before starting to use the product the users shall be aware of its functions and its technical features, learnt through an accurate and complete reading of the present user's guide.

Tampering or replacement of bed parts are not authorized by EASYBED, are not allowed.

The use of accessories or spare parts other than those recommended by the supplier, present a non proper and hazardous use of the product.

Any modification of the product not expressly approved by the company EASYBED releases the company from any civil or penal liability.

 **It's strictly forbidden to remove any safety device and protection (labels) on the set; periodically check the incidental position on the mechanism of blankets or else.**

Before starting any maintenance, repair work or cleaning the operator must have read and understood all technical information contained in this guide.

Any maintenance and repair shall be performed by qualified personnel only.

 **WARNING !!!**

Never place the product near any heat sources.

Position and lock the bed system to be maintained clear of objects that may hinder its movement.

The instructions and rules contained in this manual must be observed at all times.

Residual risk areas

In some areas of the product there are some residual risks that couldn't be avoided in designing.

Each user has to be aware of the residual risks of this product in order to avoid possible accidents.

These dangers are listed below:




1) HAZARDS OF CRUSHING


While moving the bedspring there are residual risks of crushing hands between the moving parts of the mechanism and the fixed structure of the bed.

2) MAKE SURE that the area of the bedspring or on the bedspring itself there are no people, animals or things that could collide with its movement.

Placing of labels

On the product following safety or identification labels could be placed:

 The labels are to inform the users of possible risks during the mechanism's motion.

 No stickers or plates shall be removed, tampered or destroyed.

POSITION	LABEL	DESCRIPTION
On bedspring during motion.		Caution: Hand crushing

3. Use of the vertical hideaway bed and its function

General

The vertical manual hideaway bedsystem has been developed by keeping in mind to have an extra bed, according to the needs, in a absolutely quick way, avoiding all unjustified efforts of the user.

MANUAL MECHANISM

The manual hideaway bed's movement happens by means of two gas springs put on the sides of the structure, and recline the bedspring and by other two gas springs which recline the upper panel, that becomes the bed's footboard. (pag.42)

4. Maintenance - cleaning - lubrication - disposal

Maintenance

Make periodical check of all screwed on parts, including also the steadiness of the wall fixation, by checking that no elements are lose, folded, damaged or missing.

Cleaning and lubrication

The cleaning of all metal parts shall be made with a humid sponge or cloth.

Don't use nay solvents or abrasive materials.

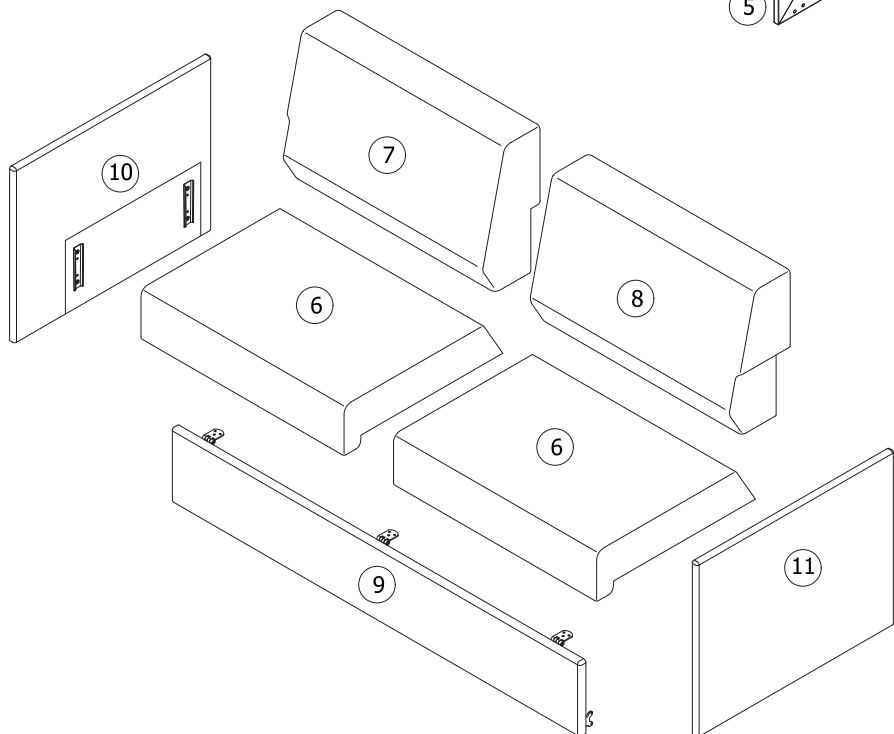
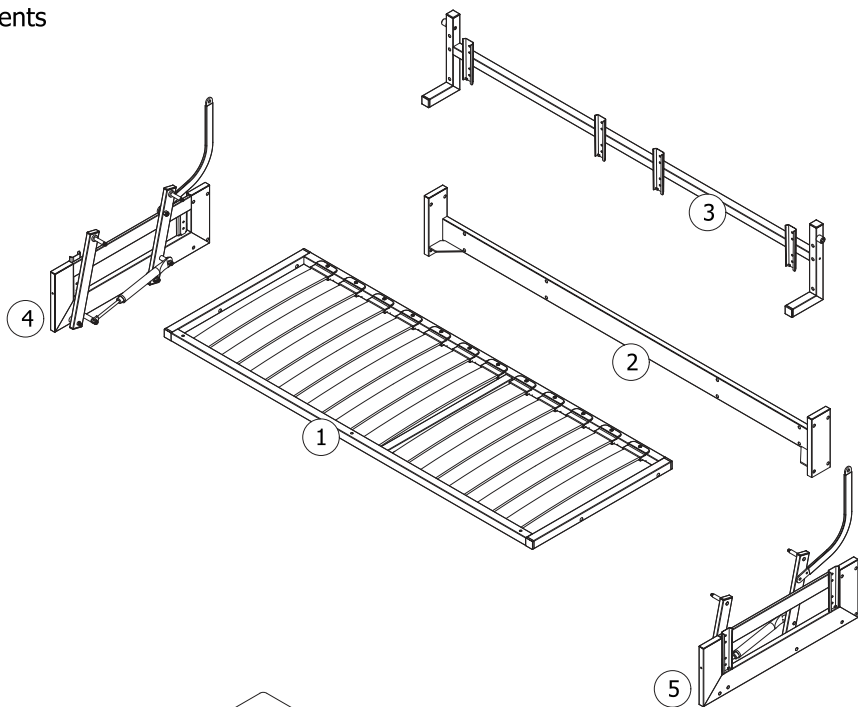
Lubrication of mobile elements as rotation pivots and door hinges, shall be made every 60 cycles with a lubricant.

Disposal

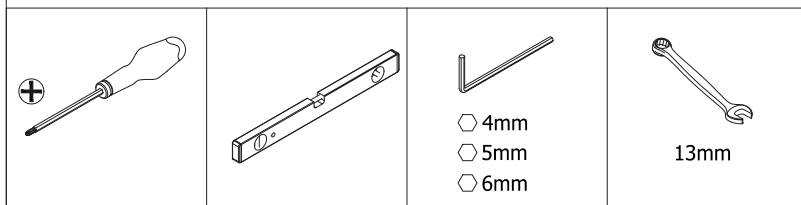
The different parts shall be disposed in special containers in accordance with the ruling standards.
DO NOT DUMP.



components



TOOLS



HARDWARE LIST

Per montaggio scocca -- *for structure assembly*

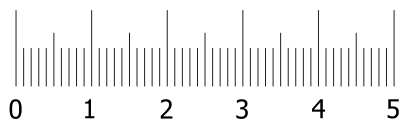
A	B	C	D	E	F
6x	8x	8x	4x	8x	4x
	∅21x3	8MA	∅23x1,5	8MAx50	8MA

Per montaggio divano al mobile -- *for sofa assembly on the bed*

G	H	L	M	N	B
4x	2x	6x	4x	2x	2x
6MAx15		6MAx40	6MAx25	10MAx20	∅21x3

Per montaggio balza -- *for sweatband assembly*

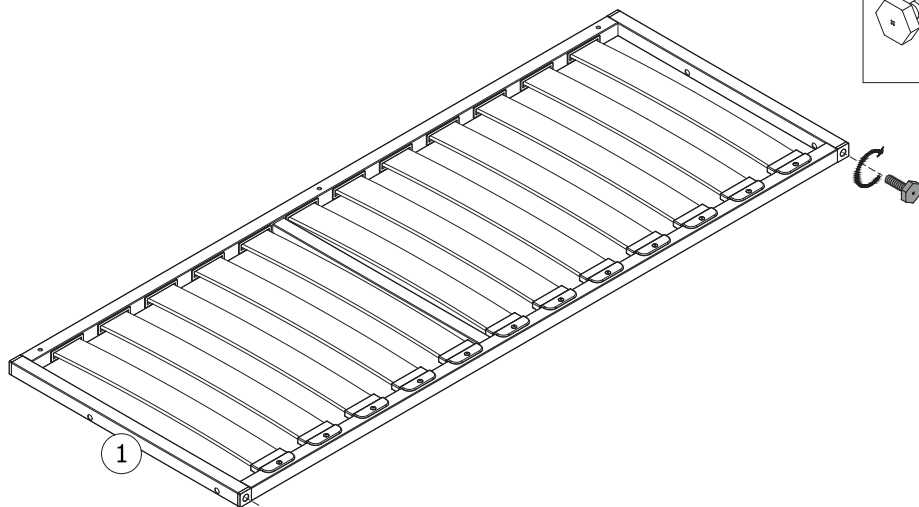
L	Q	R
3x	3x	2x
6MAx40	6MA	



step 01

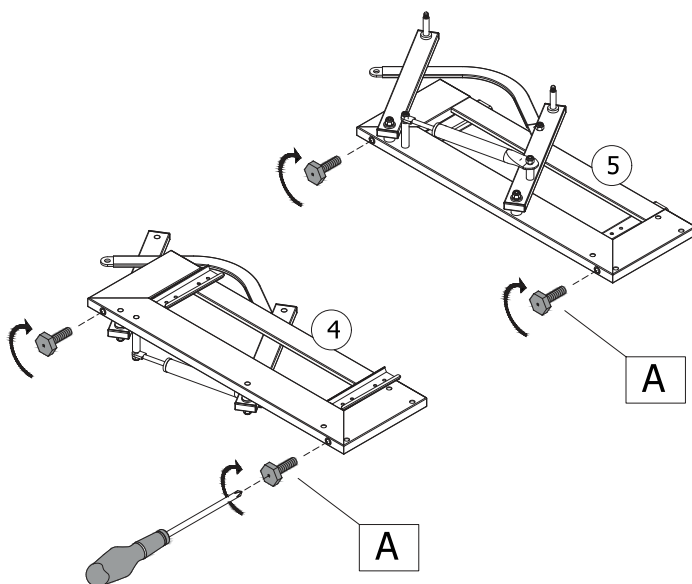
A

6x



1

A



5

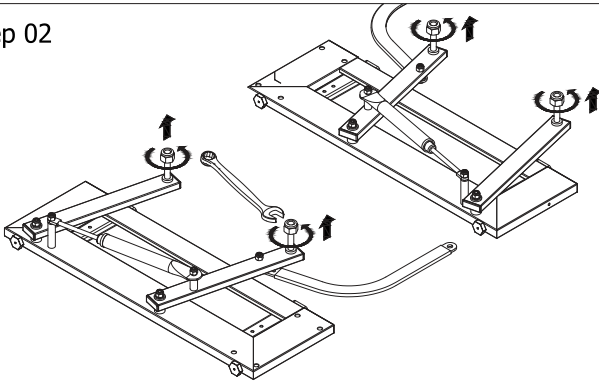
4

A

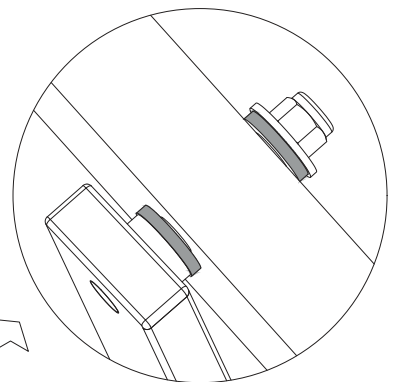
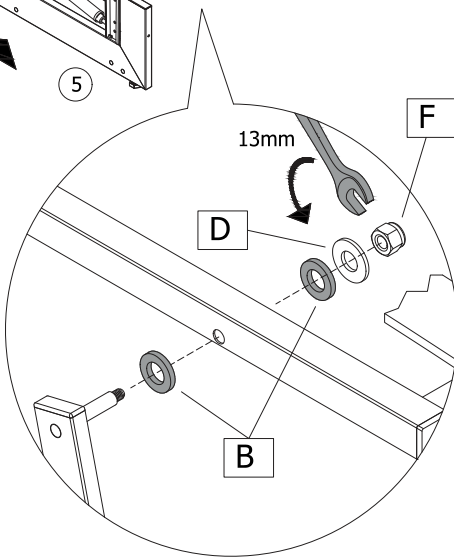
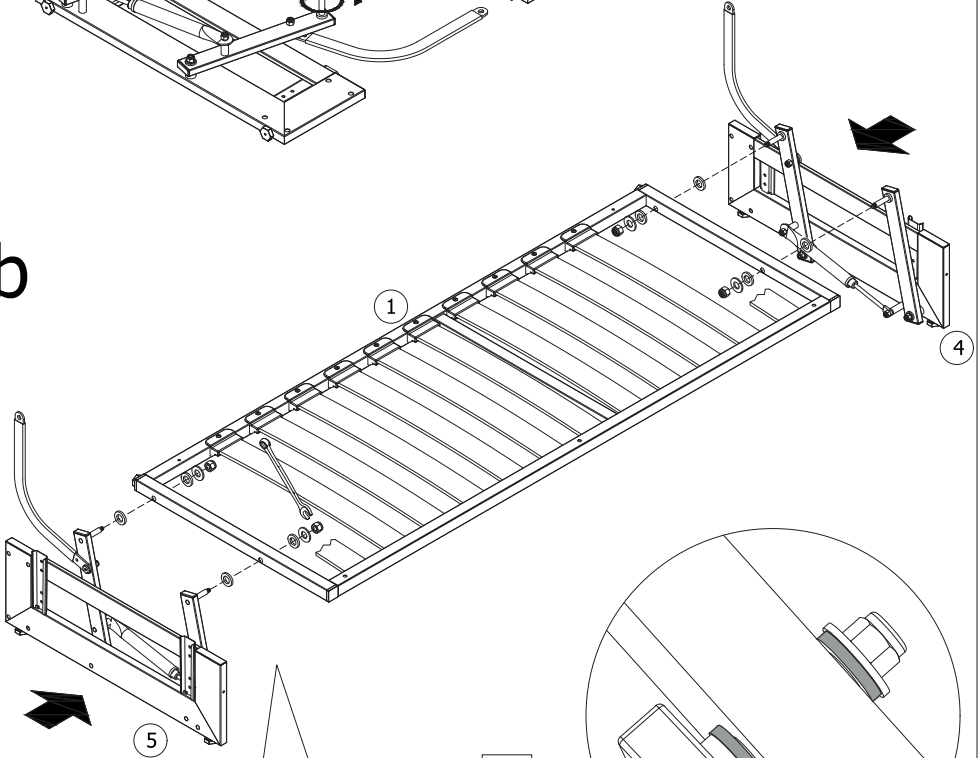
A




step 02

a

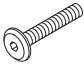



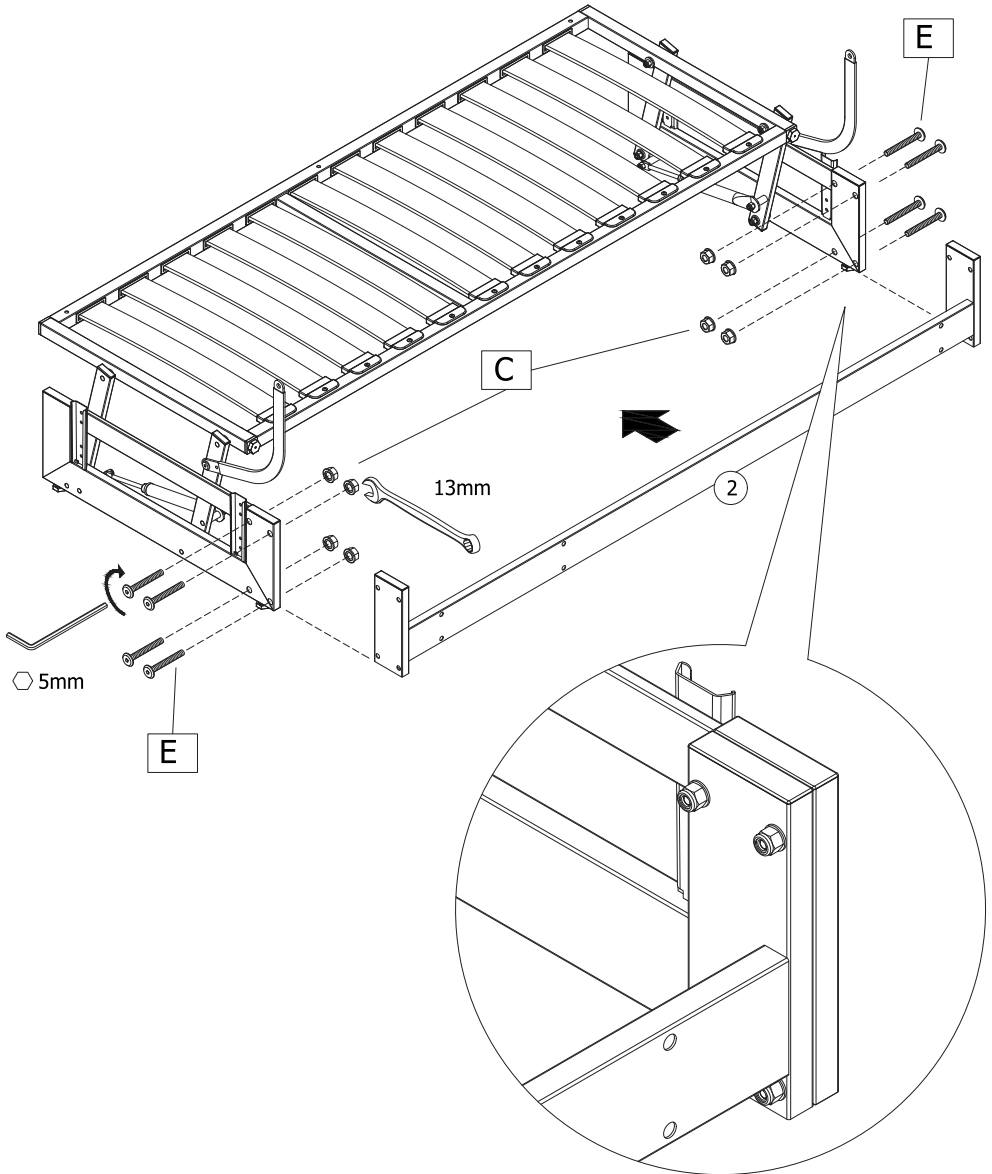
b



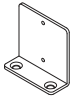

B	F	D
8x	4x	4x
		
ø21x3	8MA	ø23x1,5

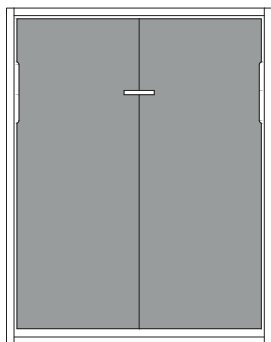
step 03

E	C
8x	8x
	
8MAx50	8MA



step 04

H	G
2x	4x
	
6MAx15	

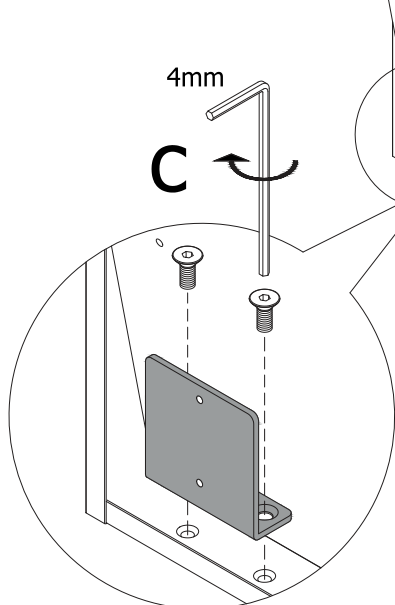
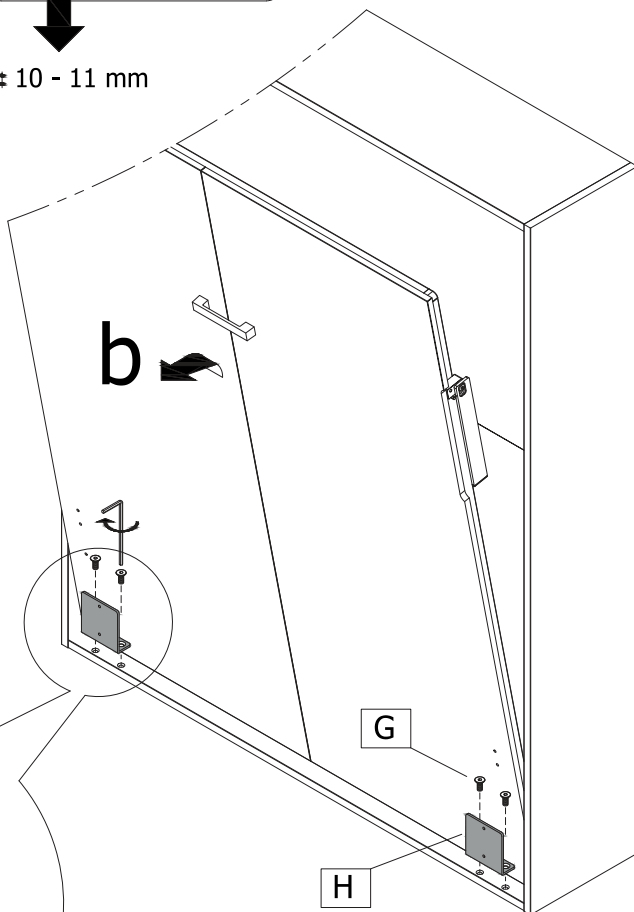


a

MISURA DA RISPETTARE
MEASURE TO BE RESPECTED
MEASURE A RESPECTER



± 10 - 11 mm



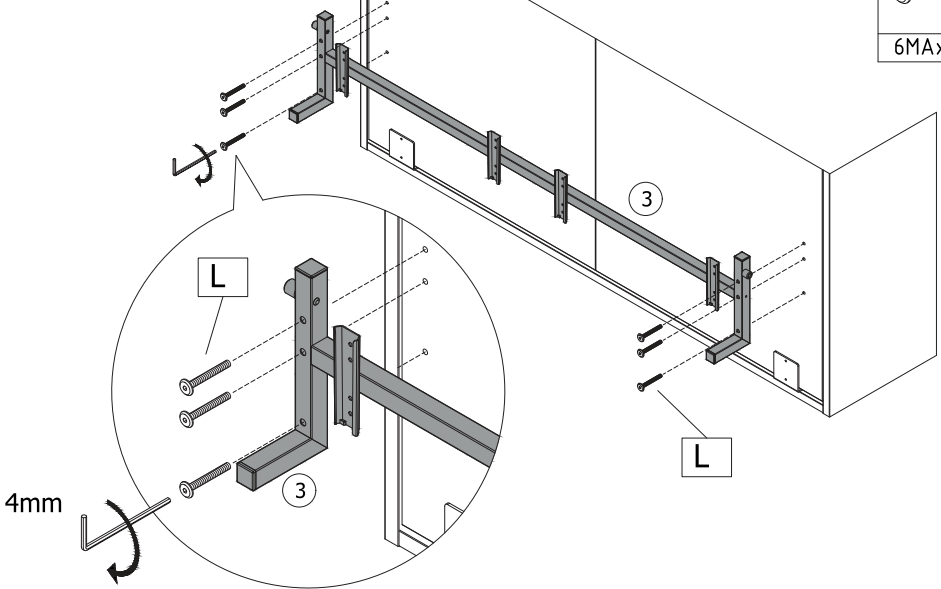
step 05

L

6x



6MAx40



4mm

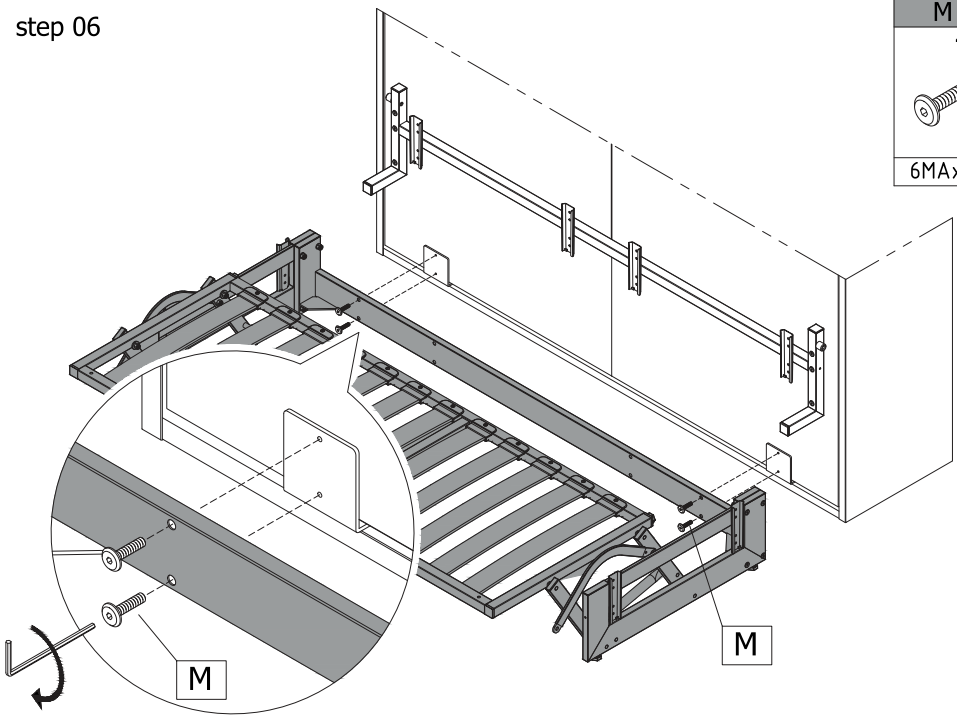
step 06

M

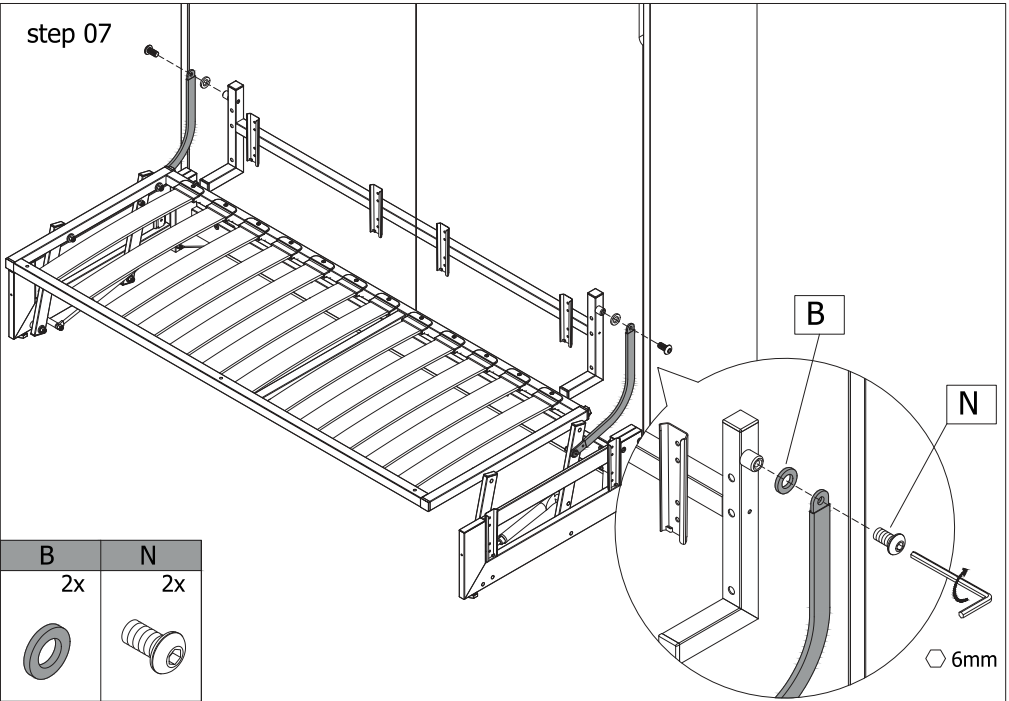
4x


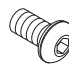


6MAx25



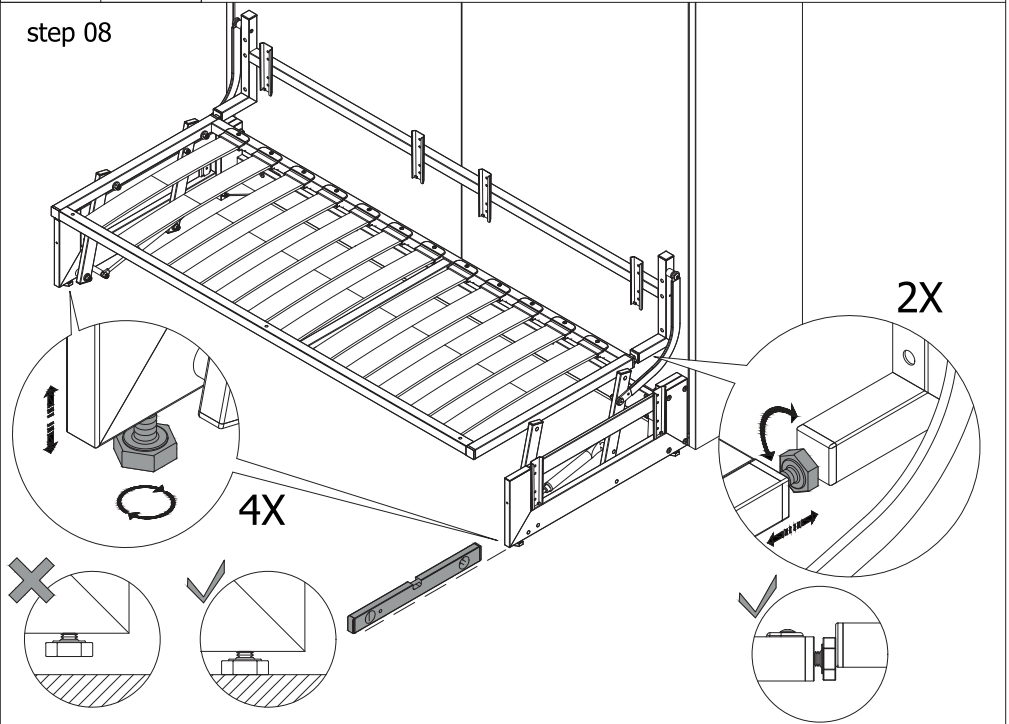
step 07



B	N
2x	2x
	
Ø21x3	10MAx20

6mm

step 08

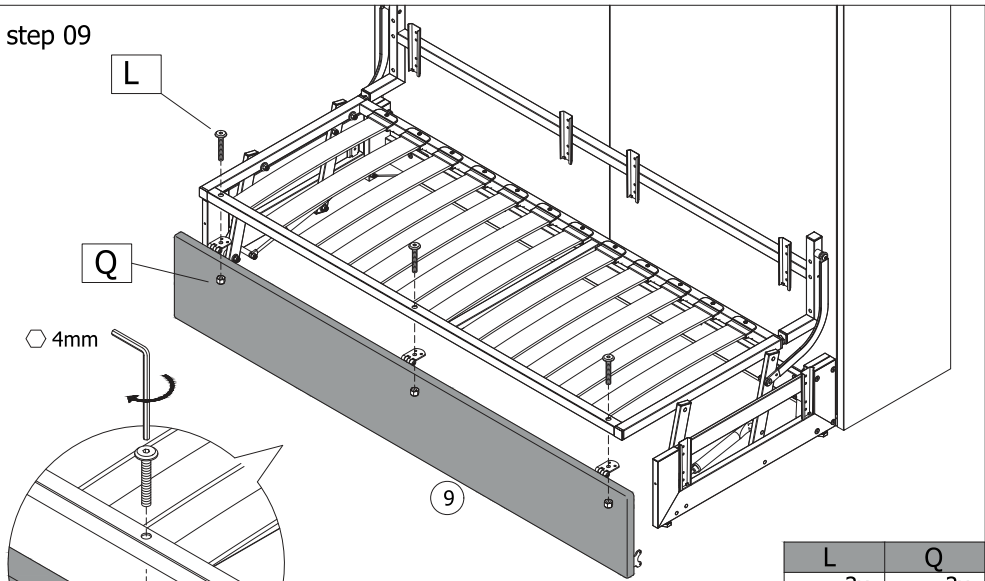




2X

4X

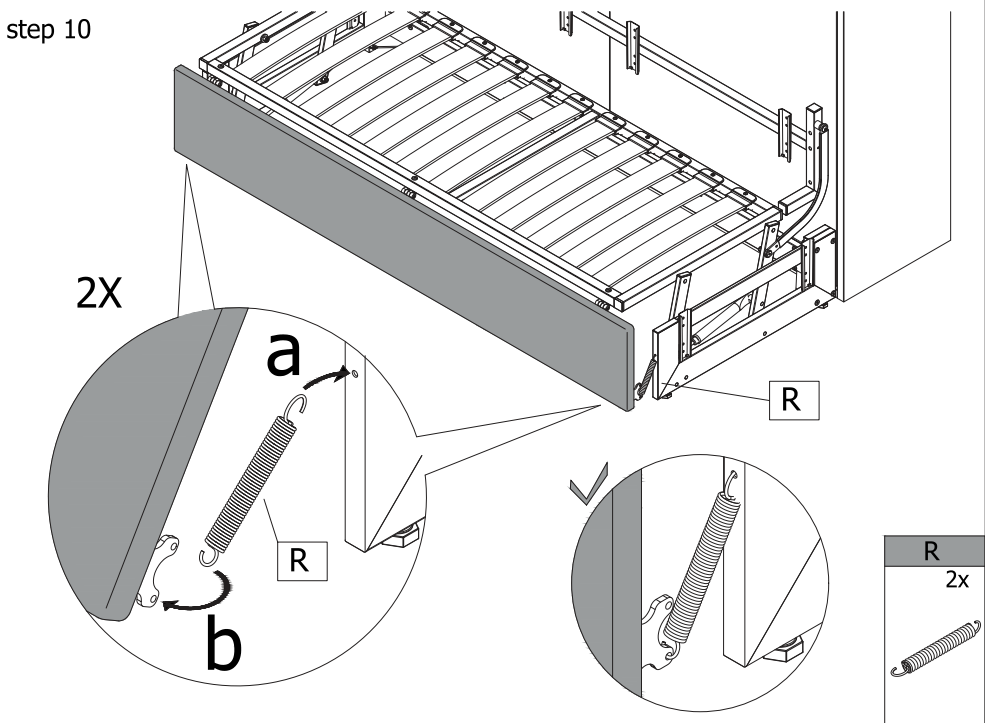



step 09



L	Q
3x	3x
	
6MAx40	6MA

step 10



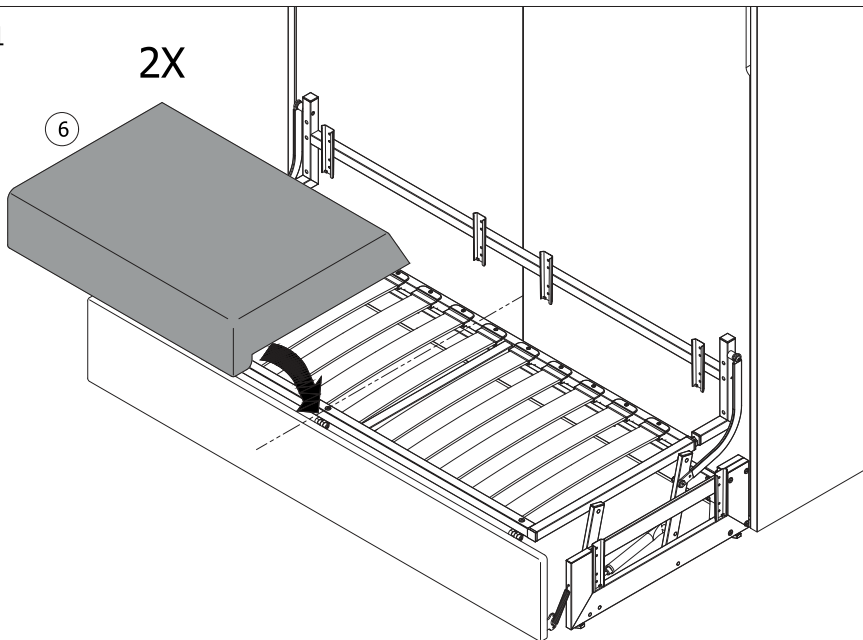
R
2x


step 11

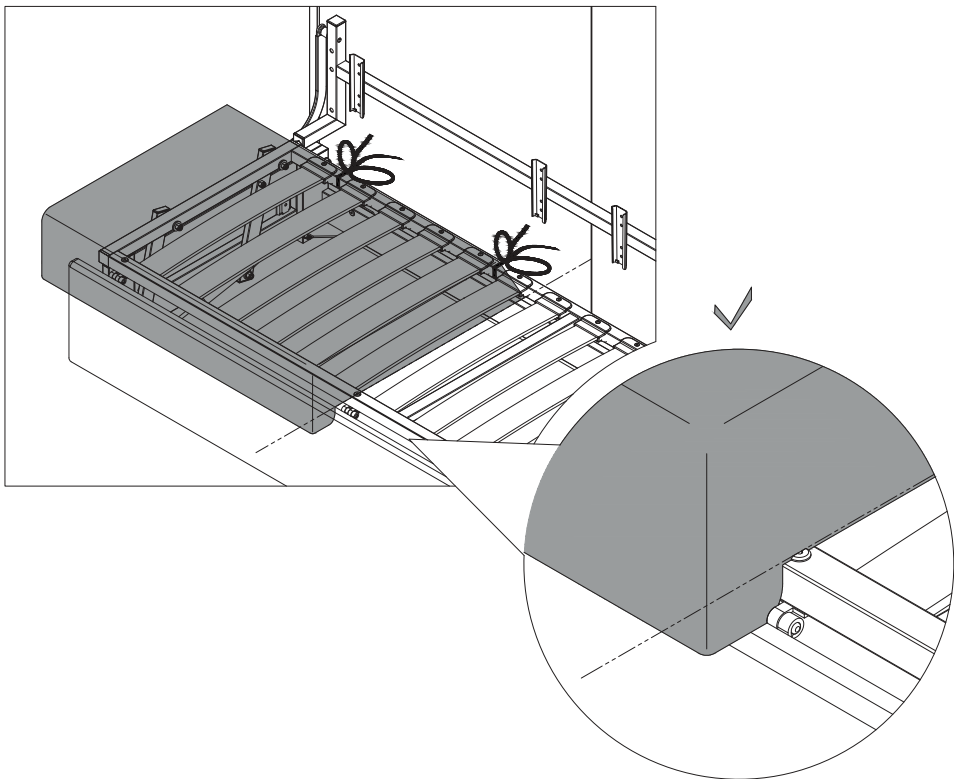
2X

6

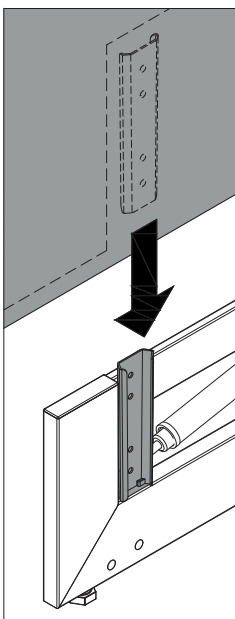
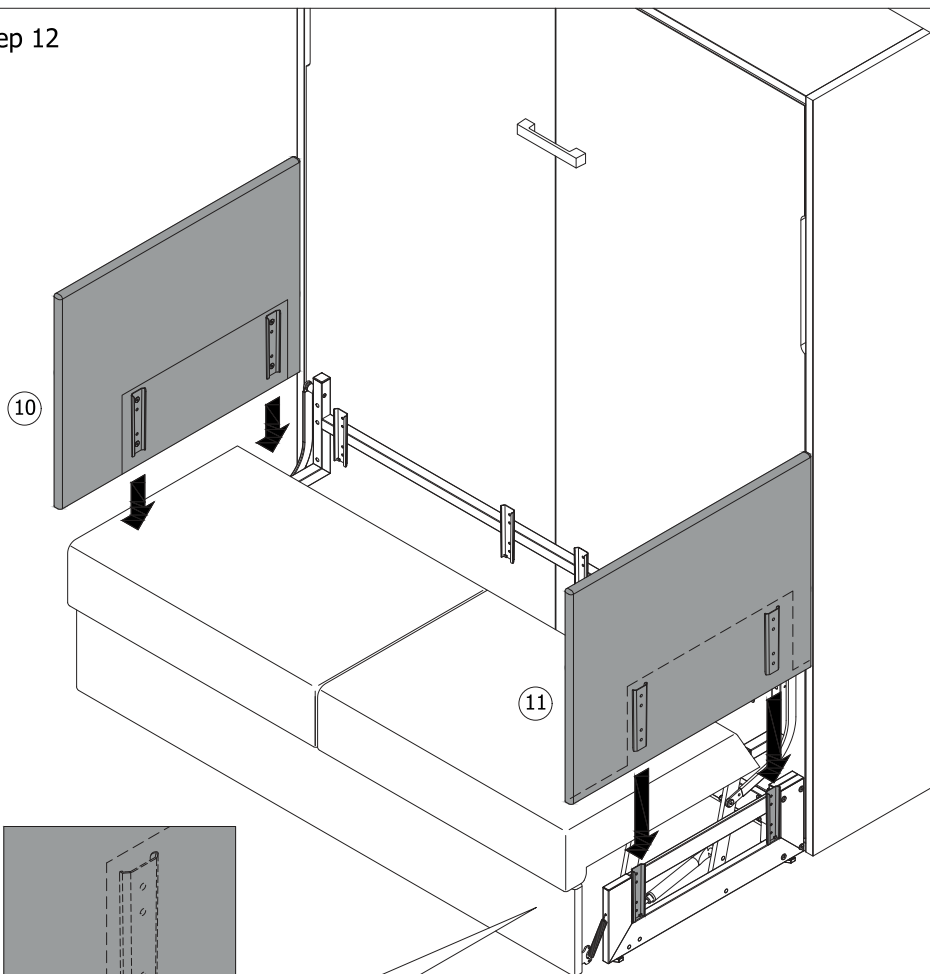
a



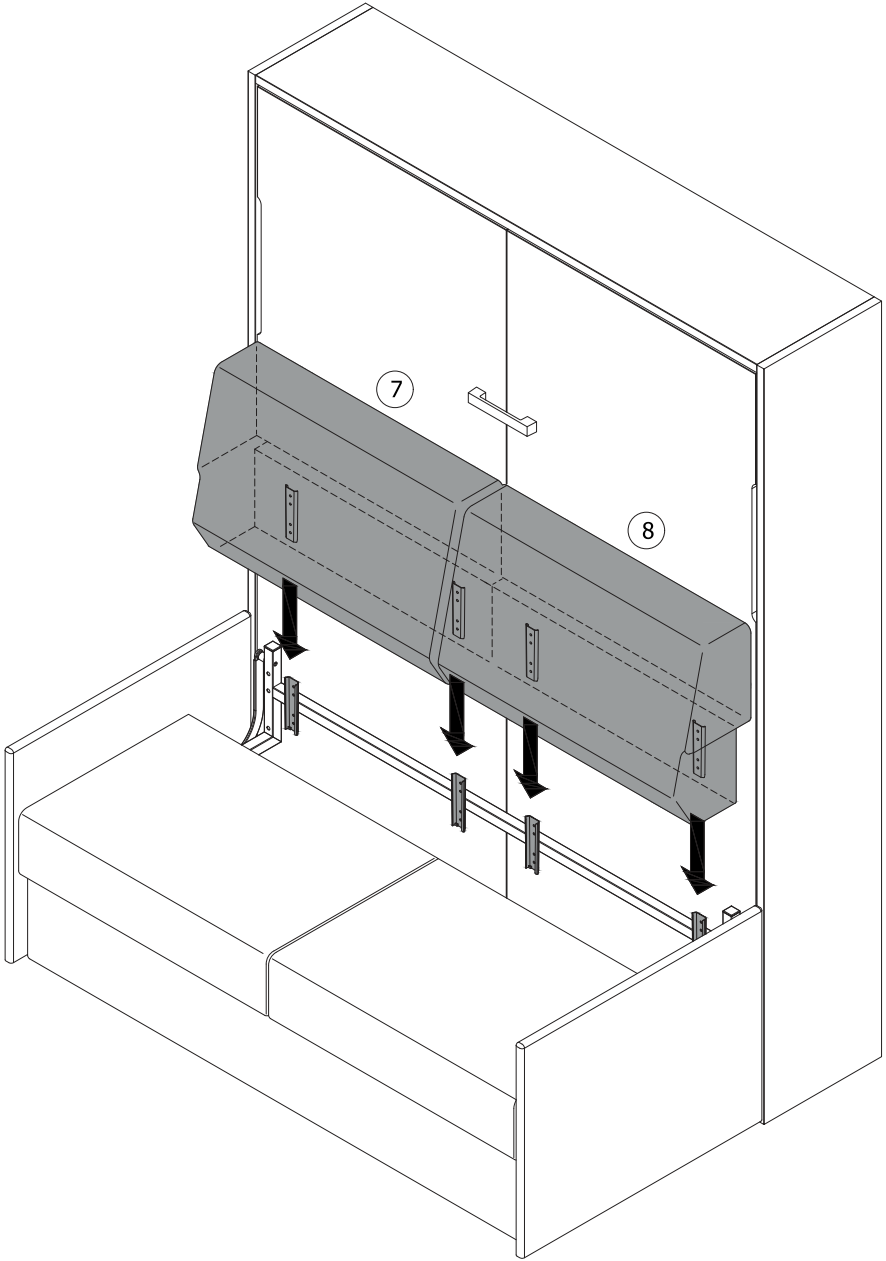
b



step 12



step 13



VERSION WITH CHAISE LONGUE OR EXTRA SEAT

